

Description

Provides manual batching and continuous digital totalized readings. The 6 inch dial face with gasketed viewing glass display, contains 5 digits to display totalization and can be configured to display any standard engineering unit (i.e. U.S. gallons, Imp. gallons, pounds, and liters). A large sweep hand is located in the center of the register which is mounted to the meter case using two screws. The sweep hand is set at the zero position by a hand set knob and manual re-set for each batch.

Mounts to

Meter Type	Size	Meter Materials
Nutating Disc	1" - 2 1/2"	Teflon® Coated Cast Iron
	1" - 2"	Bronze
Oscillating Piston	1" or 2"	Stainless Steel

Technical Information

Functional Specifications

Registration	U.S. gallons, Imp. gallons, pounds, liters, etc.
Value per Rev	1/10/100/1000/other
Operation	Mechanical drive
Sweep Hand	Reset for batching
Display Outputs	Digital non-resettable total with sweep hand
Display Digits	5
Temperature	Use vertical extension if liquid > 250° F (121° C)

Physical Specifications

Materials of Construction	
Case	Teflon® coated aluminum
Frame	Zinc
Shafts	Brass
Gears	Brass
Bearings	Graphite Bronze
Number Wheels	Brass
Pointer	Aluminum
Dial	Aluminum
Adapter	Aluminum
Mounting Position	Top/Horizontal Vertical Dial Face



Figure 1. R-20 Manual Batch/Totalizer Register

Ordering Information

MODEL 2 0

Engineering Units _____

1Gallons

2Pounds

3Cubic Feet

4Liters

5Imperial Gallons

6Barrels

7Other

Unit Value _____

A1

B10

C100

DOther (consult factory)

Register Extension _____

0No

16"

212"

Dimensions (inch)

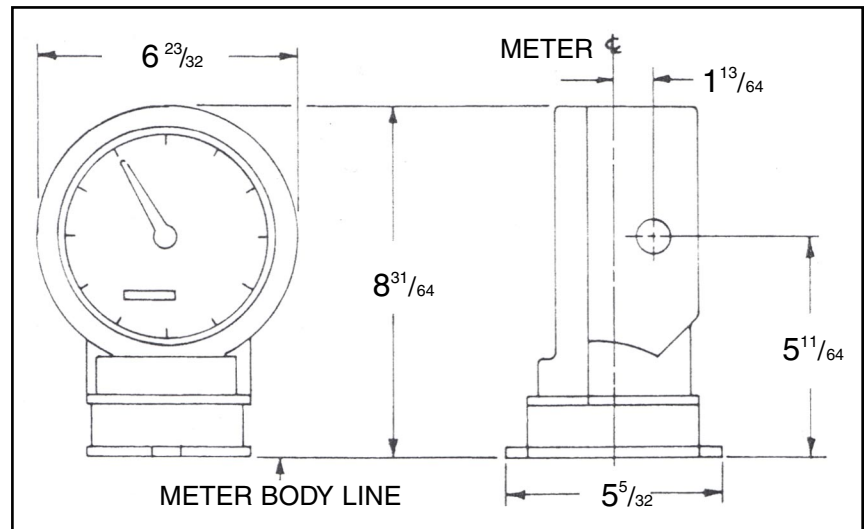


Figure 2