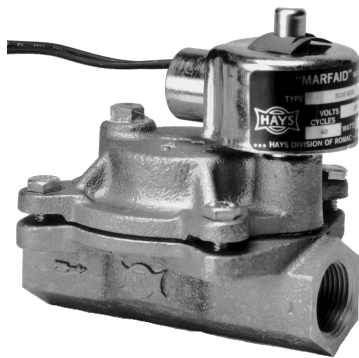


Turf & Irrigation

- Diaphragm Type
- Manual Operation with Bleed Screw
- Able to test without Electrical Power (Valuable during Installation)
- Flow Adjustment on Series 3112
- Maximum Temperature 190° F
- Pressure Range 5 - 150 psi
- Horizontal or Vertical Installation



Series 3110
¾", 1", 1¼", 1½", 2" Sizes



Series 3112
1", 1¼", 1½", 2", 2½"x 3", 3" Sizes

SPECIAL FEATURES

Maximum Flow - Minimum pressure drop

Full ported flow-way and large body chamber give maximum flow with minimum pressure drop.

Reliable operation

Design feature of the Marfaid closing with the pressure provides positive closing and prevents leakage. Will not jam on small particles such as sand.

Fail safe features

Marfaid automatically closes should electricity fail or flexing portion of the diaphragm be ruptured.

Long life means real savings

Materials in the Marfaid are designed to provide long dependable service which means real value because of Marfaid's reliability and consistent performance.

Faster System Balancing

Series 3112 Marfaid have a flow adjustment to speed up effective system and zone balancing. This feature also makes it possible to adjust flow at each Marfaid to accommodate later changes in a zone or a system.

TYPICAL APPLICATION

- Turf & Irrigation
- Industrial Maintenance Repair and Operation
- Humidification
- * Fountain Display

TO ORDER MARFAID

1-22

Series 3110/3112-Water	
Catalog Number	Voltage
3110 - 6421	24V AC 60 HZ
3110 - 6021	120V AC 60HZ
3110 - 6421	24V AC 60HZ
3110 - 6021	120V AC 60HZ
<p>Note: All Voltages available in all sizes Sizes: ¾", 1", 1-¼", 1-½", 2", 2-½" x 3", 3" 3110 Series - available ¾"-2" sizes 3112 Series - available 1" - 3" sizes with flow adjustment</p>	

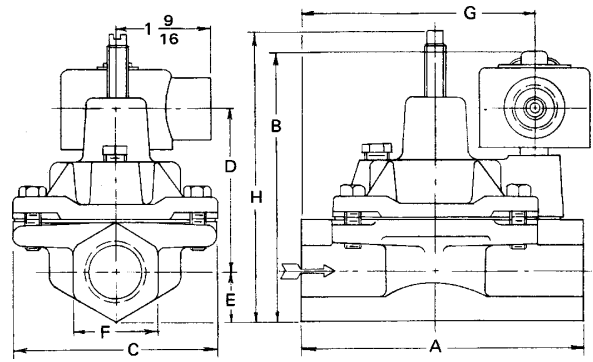
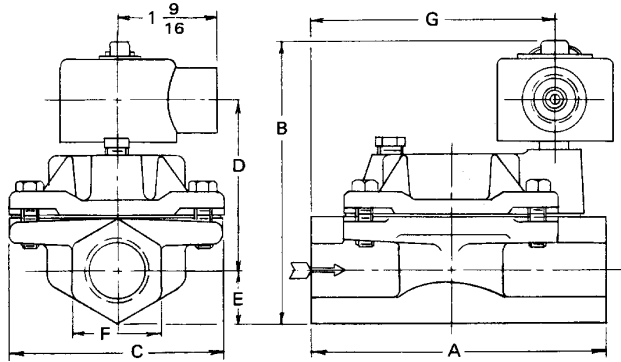
To Order: Specify Catalog Number & Size

Example: Marfaid Valve with 24 volt AC Solenoid, Pipe Size 1 ½" with flow adjustment
Order: 3112- 6021 1 ½"

TECHNICAL DATA

Series 3110 - with Bleed Screw

Series 3112 - with Bleed Screw and Flow Adjustment



Pipe Size (Valve Size): In Inches

Dim.	3/4"	1"	1 1/4"	1 1/2"	2"	2 1/2" x 3"	3"
A	4 5/8	4 7/8	5	5 1/2	6 1/2	9 3/4	9 3/4
B	4 3/8	4 5/8	5 1/8	5 1/2	6 1/8	7 3/4	7 3/4
C	3 3/8	3 5/8	3 7/8	4 1/8	5	7 7/8	7 7/8
D	2 5/8	2 3/4	3	3 3/16	3 1/2	4 7/16	4 7/16
E	1 3/16	1 5/16	1 3/16	1 3/8	1 11/16	2 3/8	2 3/8
F	1 3/8	1 5/8	2 1/16	2 3/8	2 7/8	4 1/8	4 1/8
G	3 13/16	4	4 1/8	4 3/8	5 5/16	7 13/16	7 13/16
H**(max.)	5 7/16	5 11/16	6 1/4	6 9/16	7 3/8	9	9

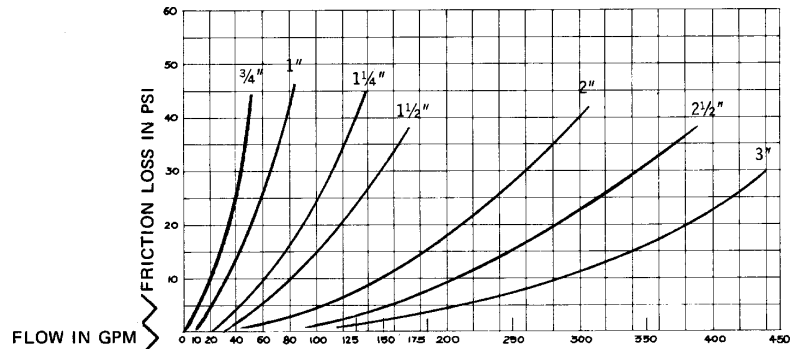
* 2 1/2" x 3" and 3" sizes not available in 3110 Series.

**Applies only to 3112 Series.

NOTE: 1/2" N.P.T. Conduit connection can be turned 360° on the 3110 Series and 270° on the 3112 Series.

The average friction loss or pressure drop and gpm flow rates shown apply to Series 3110 and 3112 Valves with the Flow Adjustment full open on Series 3112 Valves.

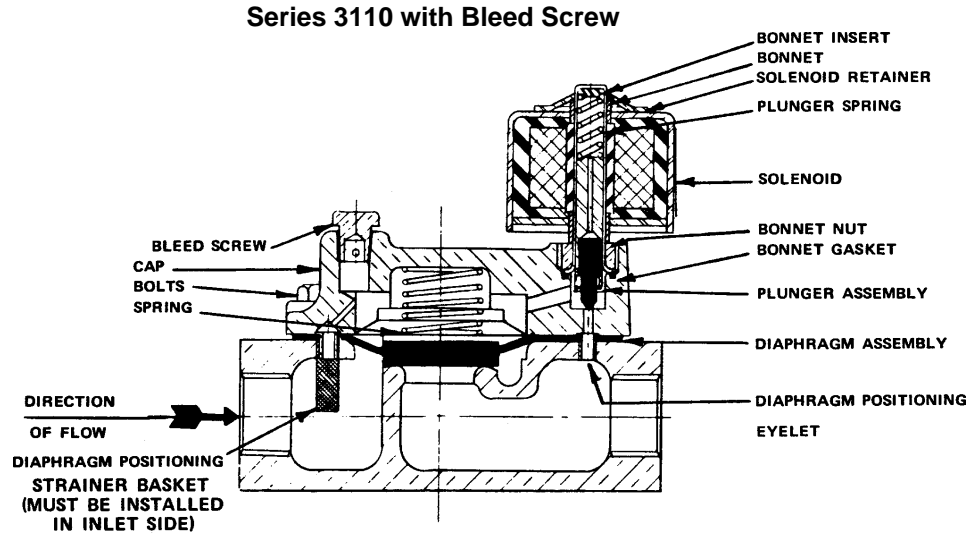
*For weights and packaging refer to price list.



Solenoid Electrical Data and Catalog Numbers	Volts and Cycles	Cat. No.	Max. Watts Holding	Max. Volt. Amps.		Duty
				Inrush	Holding	
1/2" N.P.T. Conduit Outlet and 30" lead Wire. Solenoid fits all sizes-both series of valves.	24 Volts 60/Hz AC	75734	7.0	28.0	14.0	Continuous
	120 Volts 60/Hz AC	75709	7.0	28.0	14.0	Continuous

Permissible Wire Lengths	Wire Gauge	18	16	14	12	10
	Series 3110 and 3112	24 Volts-Max. Length Ft.	800	1,400	2,200	3,500
	120 Volts-Max. Length Ft.	4,300	6,900	11,000	17,500	27,700

PARTS IDENTIFICATION



PARTS LIST

1-24

**Series 3110
Catalog Numbers**

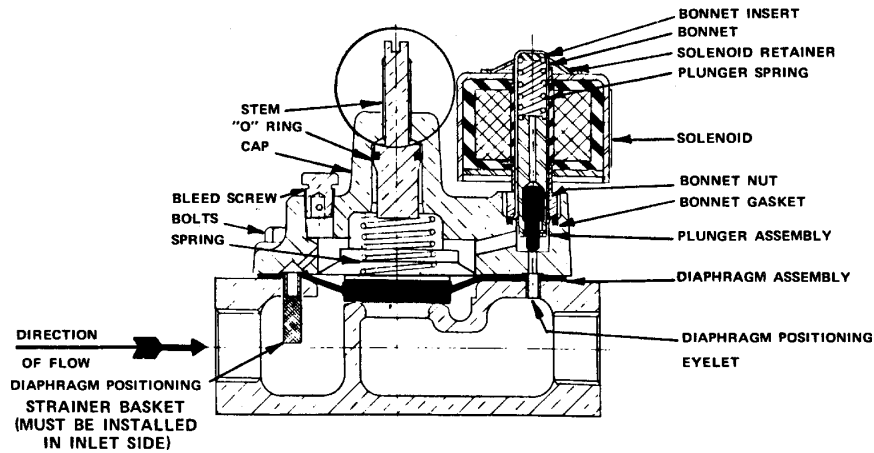
	3/4"	1"	1 1/4"	1 1/2"	2"
Cap Assembly	11125	11133	11136	11137	11138
Cap	7689803	7689403	7688704	7688203	7714601
Bleed Screw	85525	————>	————>	————>	————>
* Plunger Assembly	7419706	————>	————>	————>	————>
* Plunger Spring	84198	————>	————>	————>	————>
Bonnet w/ Bonnet Insert	7419202	————>	————>	————>	————>
Bonnet Nut	84194	————>	————>	————>	————>
* Bonnet Gasket	84195	————>	————>	————>	————>
*Solenoid Retainer	82958	————>	————>	————>	————>
*Diaphragm Assembly	10984	11378	11312	11311	11310
Strainer Basket	86565	————>	————>	————>	————>
Positioning Eyelet	86364	————>	————>	————>	————>
Bolts	85502	————>	————>	————>	85459
*Spring	82486	82488	————>	————>	84554
*Spanner Bonnet Nut Tool	84539	————>	————>	————>	————>
*Repair Kit	11576	11577	11578	11579	11580
Replacement Coil 24Vac	75734	————>	————>	————>	————>
120Vac	75709	————>	————>	————>	————>

NOTE: Diaphragm Assembly includes strainer basket for inlet port and positioning eyelet for outlet port.

NOTE: Arrow denotes same Catalog Number.

PARTS IDENTIFICATION

Series 3112 with Bleed Screw



PARTS LIST

Series 3112

Catalog Numbers							
	3/4"	1"	1 1/4"	1 1/2"	2"	2 1/2" x 3"	3"
Cap Assembly	NA	10990	10994	11324	11328	11114	11114
Cap	NA	7689503	7688703	7688303	77146	77148	77148
Bleed Screw	85525	→	→	→	→	→	→
* Plunger Assembly	7419706	→	→	→	→	→	→
* Plunger Spring	84198	→	→	→	→	→	→
Bonnet w/ Bonnet Insert	7419202	→	→	→	→	→	→
Bonnet Nut	84194	→	→	→	→	→	→
Bonnet Gasket	84195	→	→	→	→	→	→
Stem	8627401	→	→	→	→	→	→
"O" Ring	83913	→	→	→	→	→	→
*Solenoid Retainer	82958	→	→	→	→	→	→
*Diaphragm Assembly	10984	11378	11312	11311	11310	11317	11317
Strainer Basket	86565	→	→	→	→	→	→
Positioning Eyelet	86364	→	→	→	→	→	→
Bolts	85502	→	→	→	85459	→	→
*Spring	82486	82488	→	→	84554	→	→
*Spanner Bonnet Nut Tool	84539	→	→	→	→	→	→
*Repair Kit	11576	11577	11578	11579	11580	11582	11582
Replacement Coil 24Vac	75734	→	→	→	→	→	→
120Vac	75709	→	→	→	→	→	→

NOTE: Diaphragm Assembly includes strainer basket for inlet port and positioning eyelet for outlet port.

NOTE: Arrow denotes same Catalog Number.